

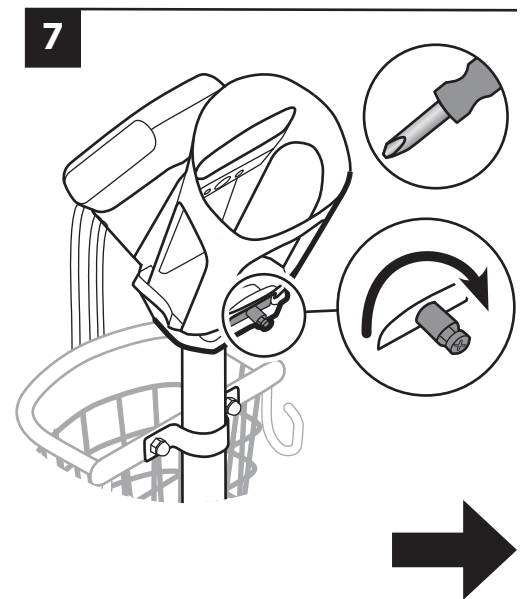
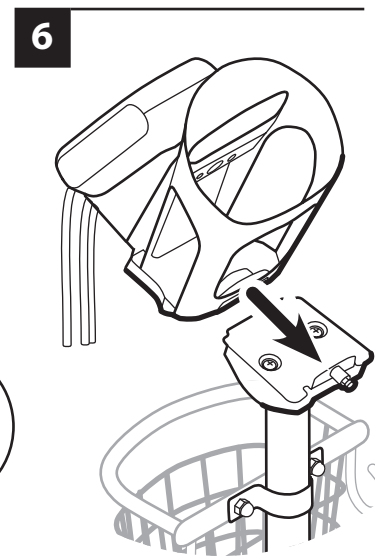
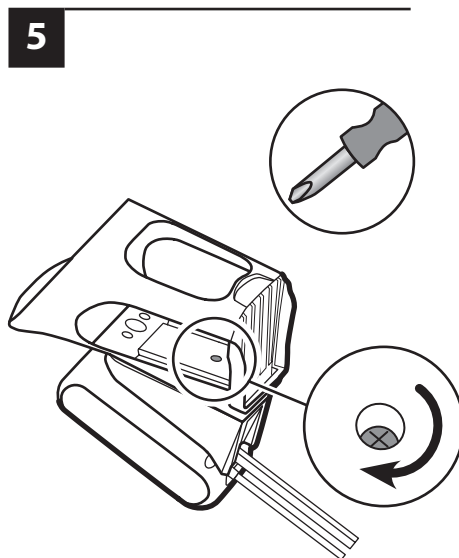
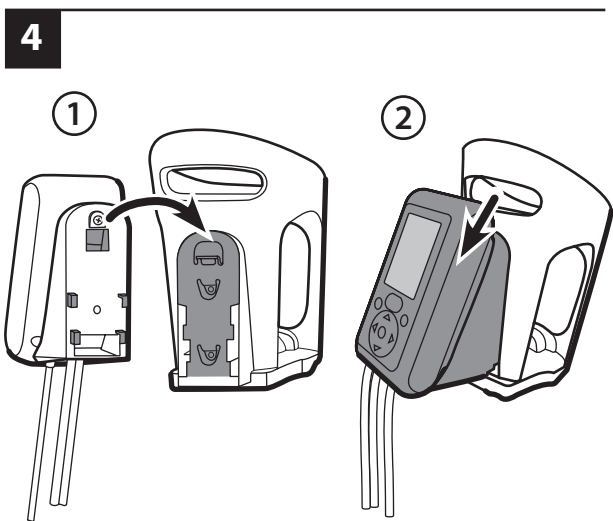
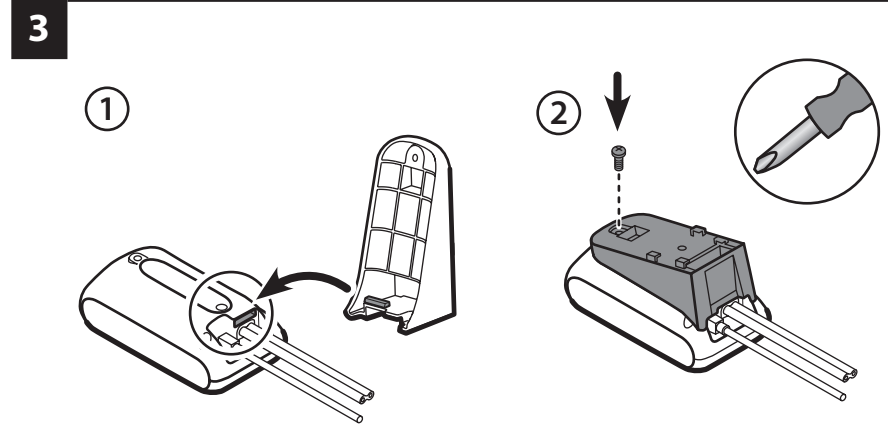
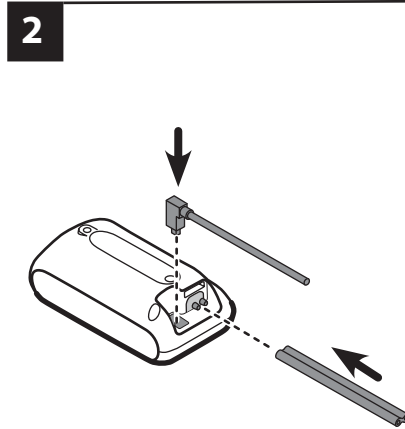
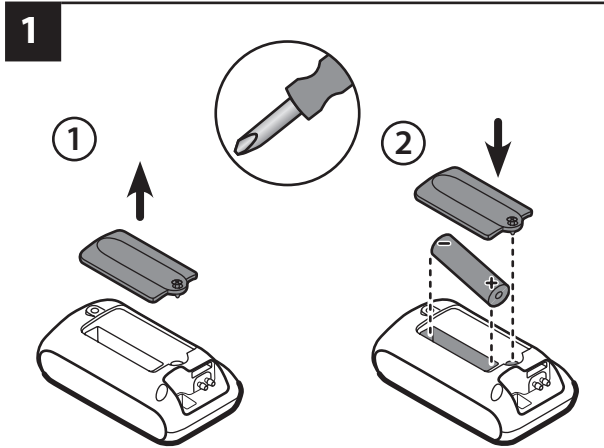
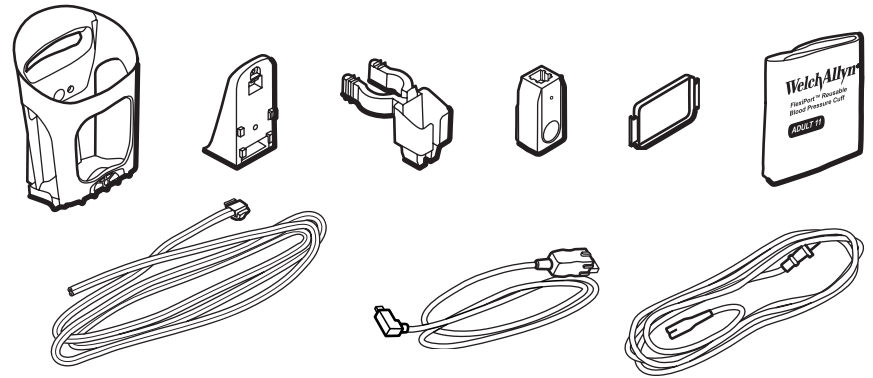
ProBP 3400 Mobile Stand Accessory Assembly Instructions

REF 4600 Series

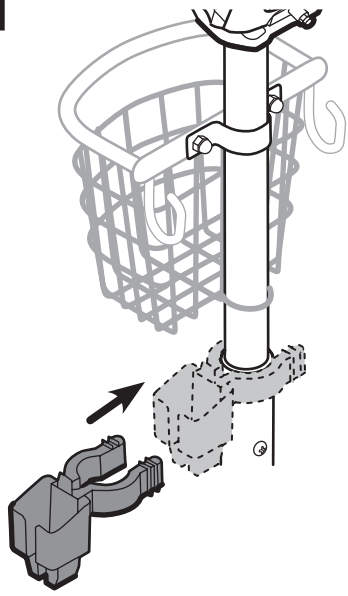
Mat. No. 750465, 80026323 Ver. A
Revision date: 2020-01
©2020 Welch Allyn, Inc. All rights reserved.

hillrom.com
Hillrom Technical Support hillrom.com/en-us/about-us/locations/
Welch Allyn, Inc. is a subsidiary of Hill-Rom Holdings, Inc.

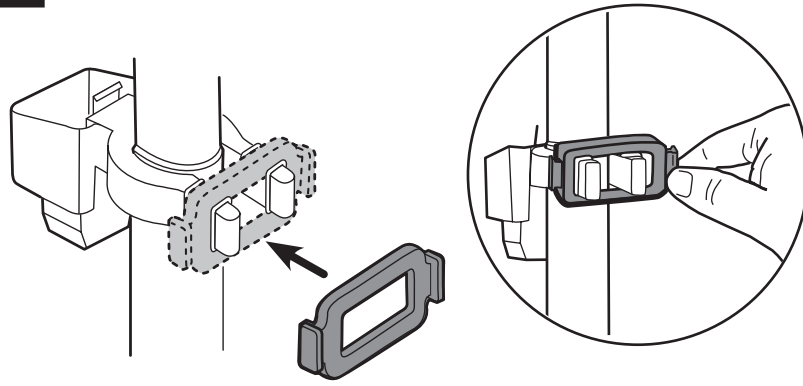
Required
Obligatoire
Richieste
Erforderlich
Necesaria
Necessário
Påkrævet
Vereist
Vaaditaan
Påkrevd
krävs
Wymagane
Необходимо
필수
必要



8



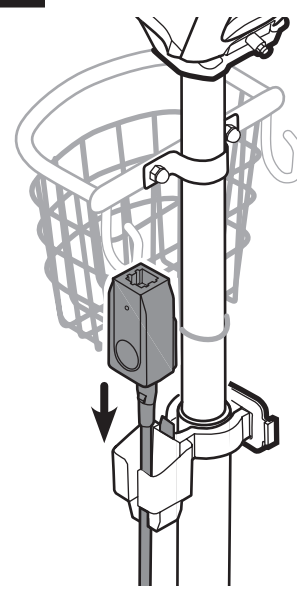
9



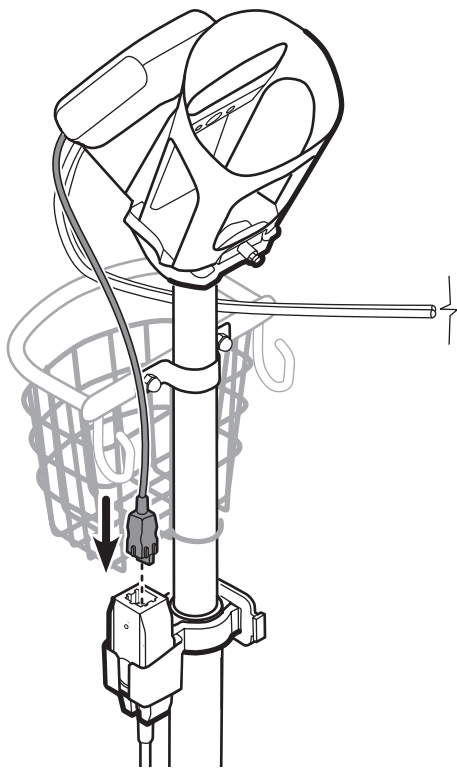
10



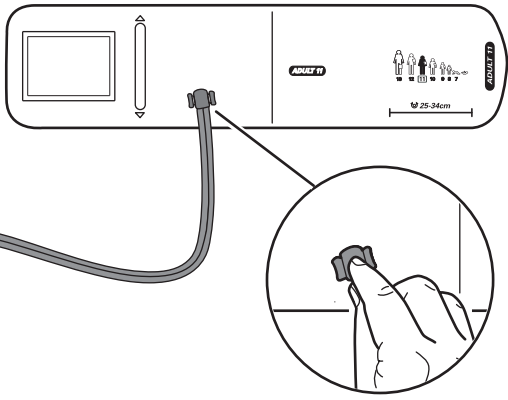
11



12



13



14

