



The innovative
air fluidised
care system





PEARLS air fluidised care system offers the latest innovations and practical benefits.



Traction pole



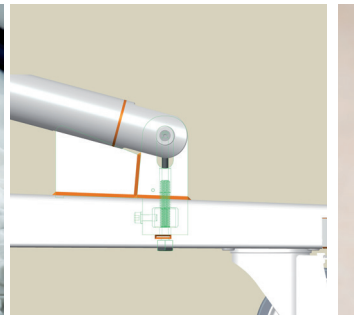
LED night illumination



Detachable control unit



Fluidisation in progress



Level adjustment system

Standard properties

- High pH-value (9-11) of the glass beads minimizing bacteria growth.
- Microspherical granulates of sodalime glass beads of 70 - 140 µm.
- Dynamic gravity 1.0 - 1.2 kg/dm³ at RH35 - 39%.
- Integrated warming and cooling system.
- Ultralow interface pressure.
- One-sided, easy to access control unit with a CPR-button.
- Visual and audible alarms with mute function.
- Generously proportioned multifilament mesh 35 micron polyester cover.

PEARLS specifications

- Temperature range adjustable from 30°-38°C, differential +/- 1°C.
- Infinitely variable airflow.
- Electronic cooling valve for accurate moisture control.
- Detachable control unit for easy servicing and remote use (max. 6 meters).
- Variable height by an adjustable support frame.
- Safety side rails to protect the tub.
- Built-in decontamination system.

Optional features

- Pulsation mode, active 0-10 seconds, passive 0-10 minutes.

Optional accessories

- Traction support pole.
- Traction support package.
- Air permeable adjustable backrest.
- Adjustable footstep.
- Pantascope mirror system: to enable the immobile patient to communicate.

Service parts

- Filtersheet, permeability 35 microns.
- Microspherical granulates in 25 kg packing.
- Air filters.

Improved functionality

- Control system with touch screen panel for easy and intuitive operation.
- Active moisture control to ensure low relative humidity in the fluidising beads.
- Improved uniformity of the fluidisation pattern offers increased patient comfort.
- Reduced air flow at improved fluidisation, resulting in less energy consumption and lower noise level .
- New selection of smart cooling unit.
- Automated test cycle after installation.
- Maintenance interval indicated by software.
- Data logging system to extract graphs of decontamination cycles and troubleshooting.
- Highest security level for the disinfection procedure, with split power supplies.

Improved mechanical and user properties

- The modern shape of the tub allows elbows to fit in the bed and save space at the legs.
- Soft rubber rim means easy mounting of the filter sheet.
- The foot switch is connected directly to the care system, enabling use even if the control unit is detached.
- "COMFORT" mode at foot switch, increases the airflow during periods of patient handling.
- Improved level adjustment system.
- Basin outlet for easy emptying of the tub when replacing glass beads.
- LED night illumination.
- Central brake for castors under frame.

Trendy exterior

A luxurious colour setting and modern design.



Safety side rail



Panel display & CPR



Central brake



Height adjustment



Soft rubber rim

Technical data

- Consumption 1380W max. operational.
- Consumption 3300W max. auto decontamination (optional).
- Standard 230V, 50 Hz.
- Optimal conditions for proper functioning: 25-30°C, RH55%.
- Hour counters for clinical and technical registrations.
- Noise production during full operation 48 dB(A).

Mechanical data

- Glass fibre reinforced outer tub with stainless steel 316 inner section for clean environment.
- Bed provided with swivel castors for easy transportation, 2 castors provided with a central brake.
- Control unit provided with swivel castors for easy transportation.
- Patient weight limit 150 kg*.

Safety features

- Protected against temperatures of 40°C and higher: audible and visible alarm, deactivation of all functions.
- Protected against overload of air compressor, condensing unit and heating.
- Audible and visible alarm of $> \pm 2^{\circ}\text{C}$ deviation from set temperature. Reset is possible.
- Auto re-start of fluidisation within 30 minutes after power interruption.
- Strict procedure for decontamination procedure available for authorized staff only.
- Temperature and pressure sensor with incorporated detection to indicate possible defect(s).
- CPR function.

Safety standards

- Designed and approved according to EN60601-1, 3rd edition.
- Directive 93/42/EEC, class IIb certified by DEKRA (CE0344).
- Manufactured under ISO13485, certificate no. 2170048.
- Application of CFC-free coolant R404A.

Dimensions

- Length: 2415 mm.
- Length without control unit: 2260 mm.
- Width: 1110 mm.
- Height: 900 - 1215 mm.

Weight range

- Empty: 380 kg.
- Filled with microspherical granulates: 930 kg.

* conditional

MANUFACTURER OF MEDICAL BEDS



In select markets in Europe,



is distributed by Hill-Rom

For more information, contact your local Hill-Rom representative or visit:
www.hill-rom.com

Copyright of Synergie Nederland B.V.